

# WORTHINGTON



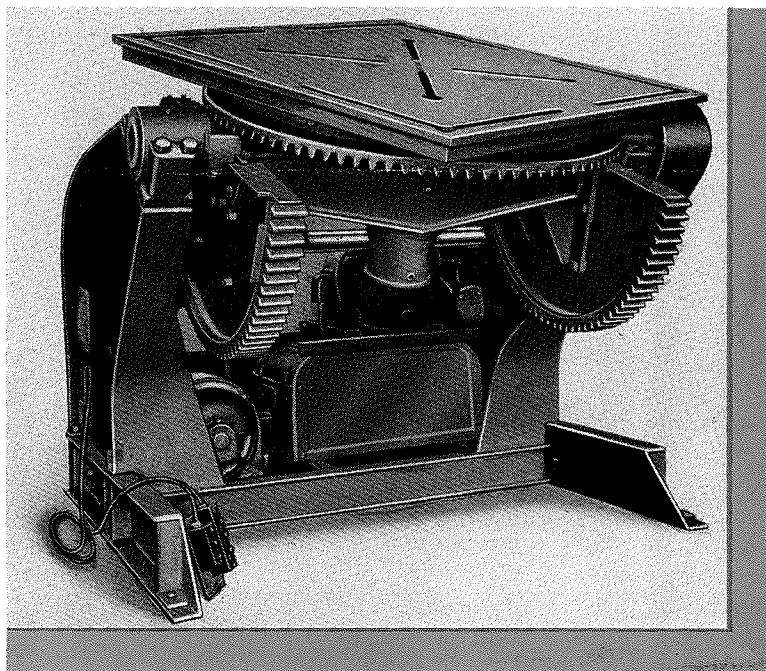
## PRECISION ENGINEERED POSITIONERS for Manual and Automatic Welding

MODEL

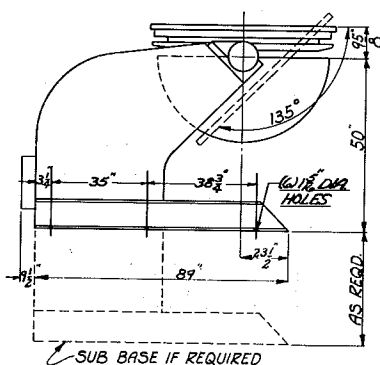
160

**Variable Speed:**  
Table speed .016 to .33 rpm  
Maximum load 16,000 pounds at  
12 inch center of  
gravity and 12 inch eccentricity

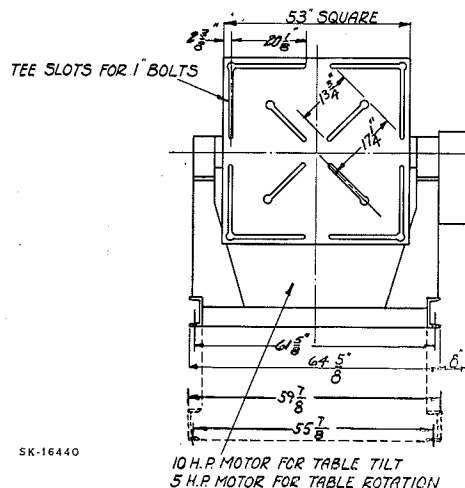
**Constant Speed:**  
Table rotation speed .35 rpm  
Maximum load 16,000 pounds at  
12 inch center of  
gravity and 12 inch eccentricity



R-163



SK-16440



SK-16440

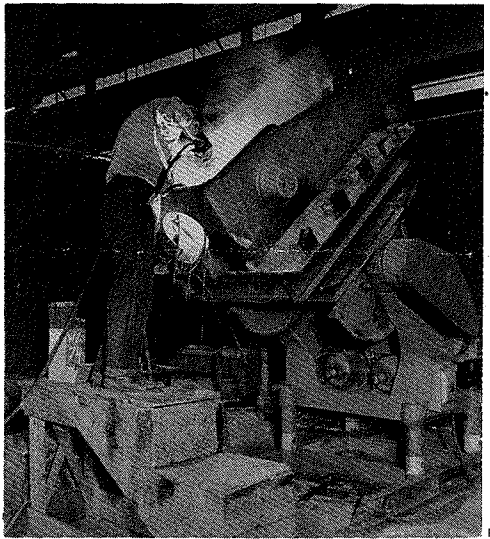
10 H.P. MOTOR FOR TABLE TILT  
5 H.P. MOTOR FOR TABLE ROTATION

Worthington's Model 160 is furnished with either variable or constant speed table rotation. Table top is 53 inches square and has T-slots for 1-inch bolts. Special elevating sub-base can be supplied if required. Rotation motor 5 hp. Variable speed range from .016 to .33 rpm of table top. Constant speed

motor provides a table top speed of .35 rpm. Tilt motor 10 hp. Tilt speed 135 degrees in 60 seconds. Remote push button control is standard. Foot-operated control can be furnished if desired. Load capacity is 16,000 pounds at 12 inch center of gravity and 12 inch eccentricity.

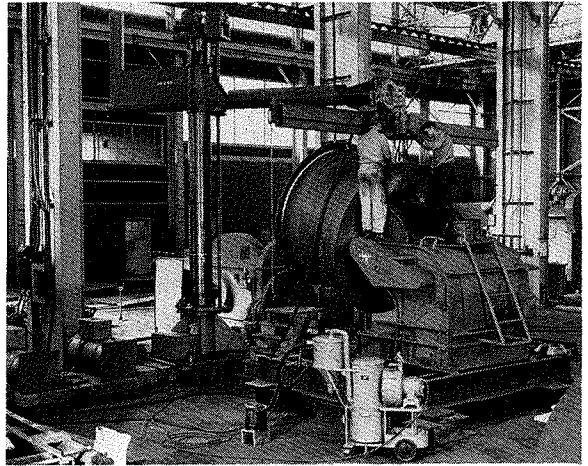
**MODEL  
160**

# GIVES YOU BETTER-SMOOTHER-STRONGER WELDS



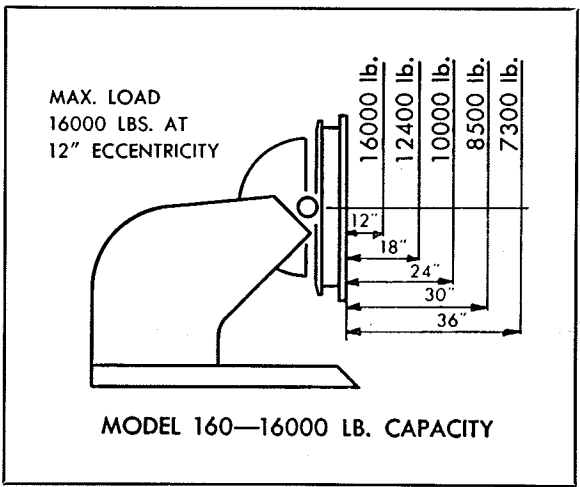
R-4

Worthington Welding Positioner making welding readily accessible for smooth welds

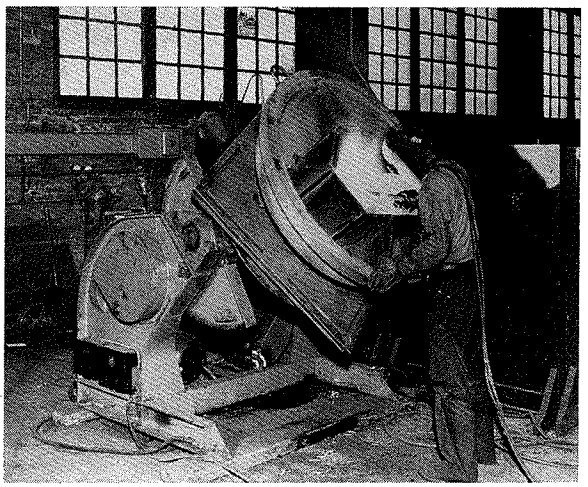


W-13808

Worthington Positioners are essential for automatic welding operations



W-13807



R-2

Piece on this Worthington 160 Positioner is 10-Pass head for large heat exchanger

## WORTHINGTON CORPORATION

POSITIONING EQUIPMENT DIVISION  
PLAINFIELD, NEW JERSEY

**Consult a Worthington Positioner Specialist for Advice on Your Next Welding Problem!**